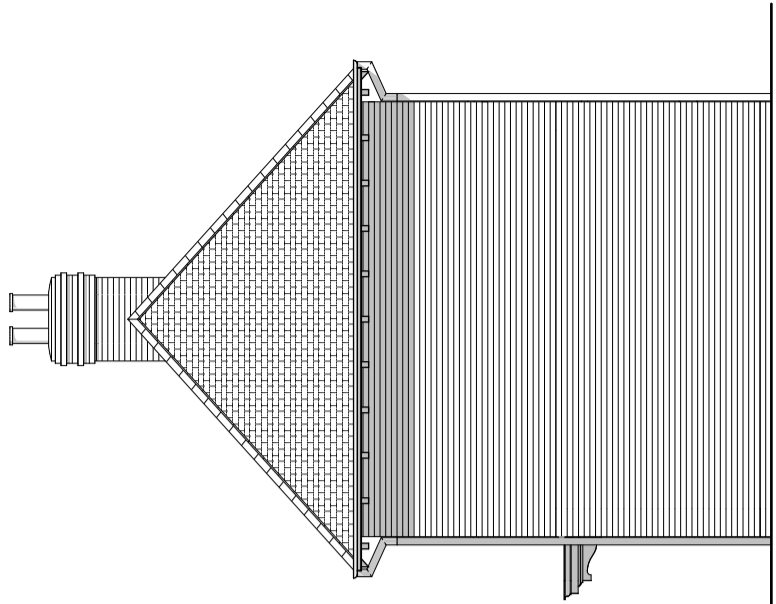
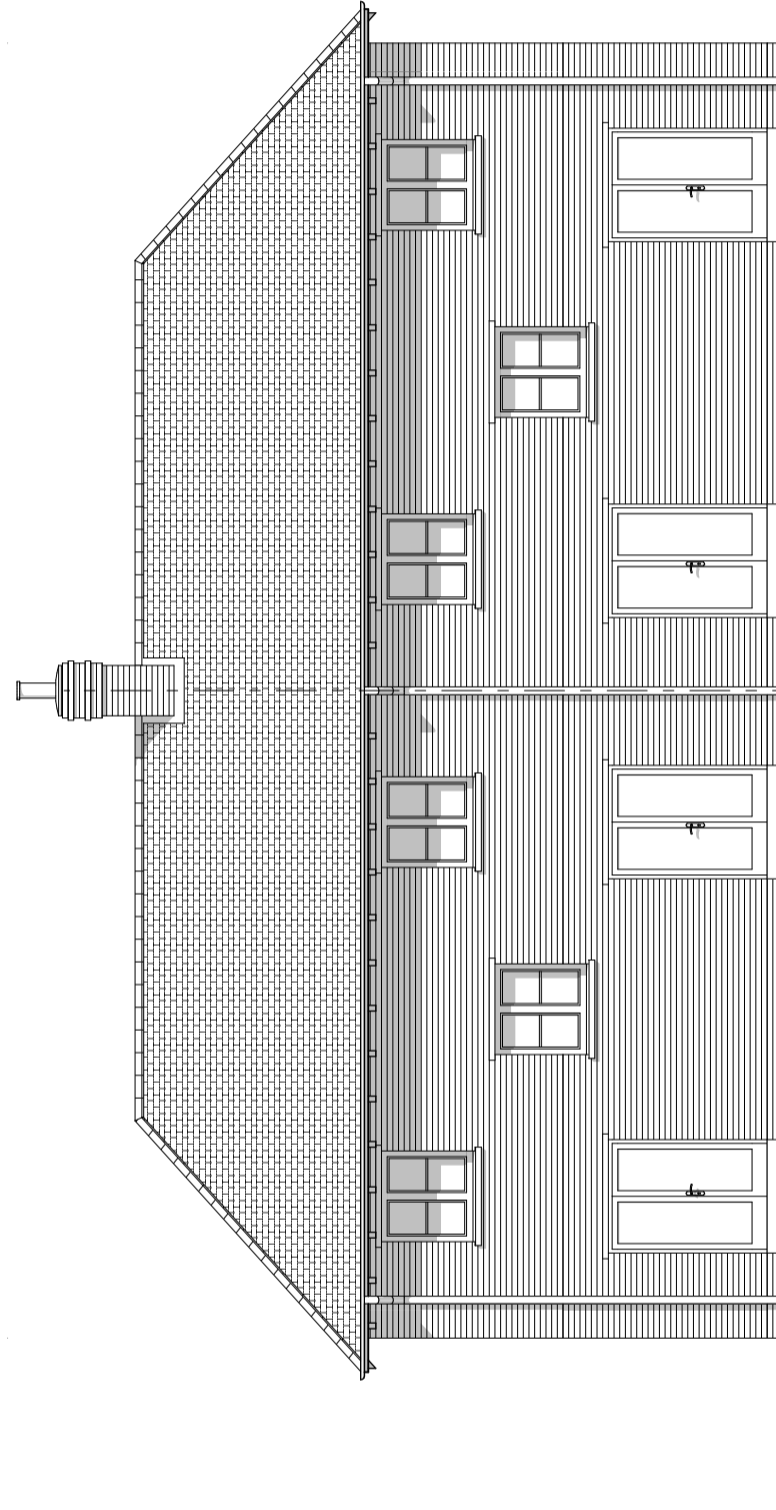


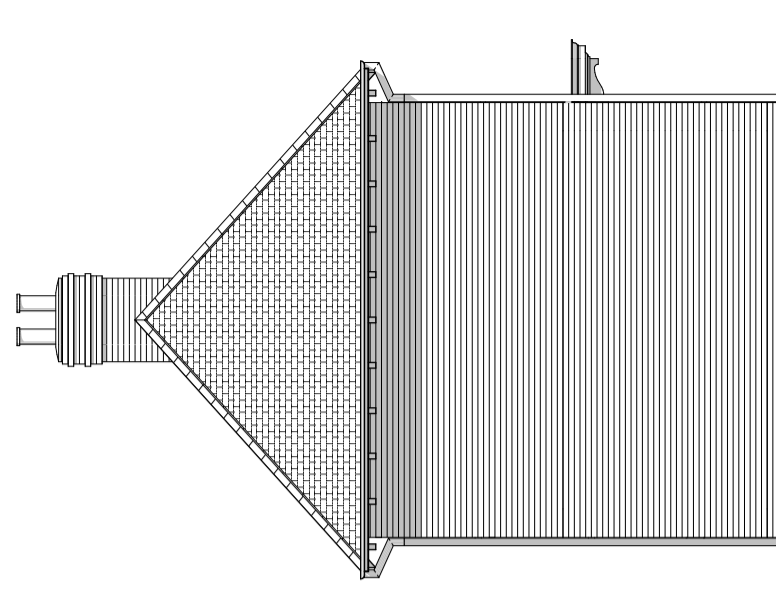
Front Elevation



Side 1 Elevation

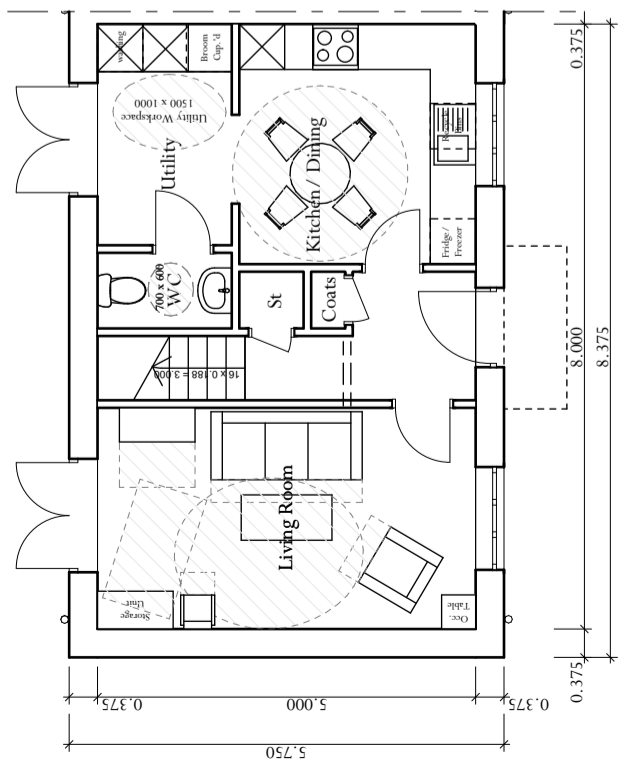


Rear Elevation

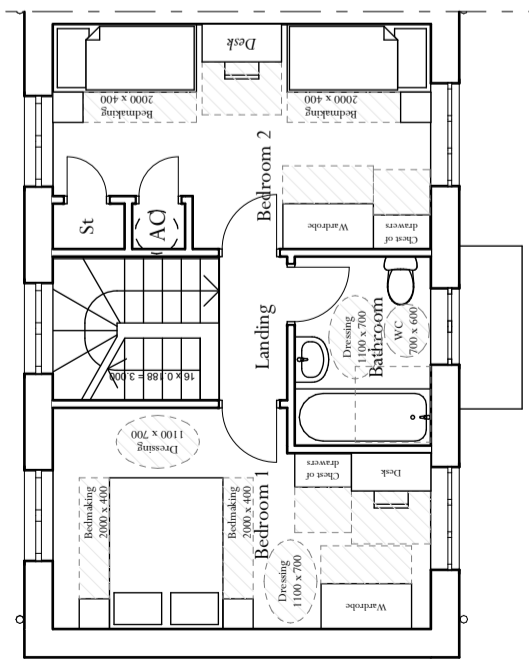


Side 2 Elevation

±8.335  
±5.400  
±2.700  
±2.400  
±0.000



Ground Floor



First Floor

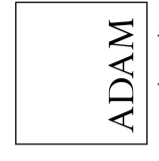


Scale 1:100

Cottage Type 2D - Plot 37, 38, 55 & 56  
**Land to the East of Tilletts Lane, Warnham**

Scale: 1:100 @ A3

Drawing Number: 6294-PL208 Rev 01 | Drawn By: FP



**ADAM ARCHITECTURE**  
www.adamarchitecture.com contact@adamarchitecture.com