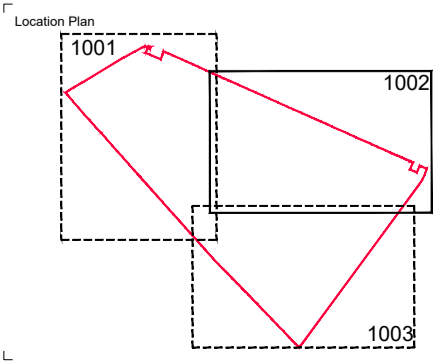
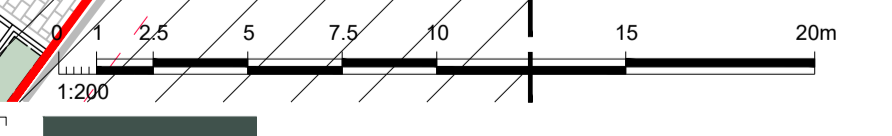


Refer to drawing D3438-FAB-00-XX-DR-L-1001

Refer to drawing D3438-FAB-00-XX-DR-L-1003



fabrik
 Lenton House | 15 Lenton Street | Abingdon | Hampshire | GU24 1HG
 T: 01429 33256 | E: info@fabrik.com | W: www.fabrik.com

Client: **Enterprise Park**
 Architect: **Lovell**

Project: **Landscape General Arrangement Plans - Sheet 2 of 3**
 Purpose: **ISSUED FOR PLANNING APPROVAL**

Drawn By: dg
 Checked By: sg

Scale: 1:200 @ A1
 Date of First Issue: mar | 2025

Drawing Number: **D3438-FAB-00-XX-DR-L-1002**
 Revision: **PL02**

Revision	Date	Description	Drawn	Checked
PL02	16.02.2026	Issued for Planning - RPZ Amendments	gh	ah
PL01	12.03.2025	Issued for Planning	ah	ah
PL01	05.03.2025	DRAP T - Issued for Planning	ah	ah
Approved Date: _____				

Disclaimer:
 1. This drawing is copyright of fabrik ltd. It must not be copied or reproduced without written consent from the owner.
 2. Do not scale from this drawing. Only figured dimensions are to be taken from this drawing.
 3. All construction shall be in accordance with the approved planning and building regulations and all dimensions shall be taken from the drawing prior to fabrication and setting out.
 4. This drawing uses coloured lines. Please do not rely on a monochrome copy.

External References: