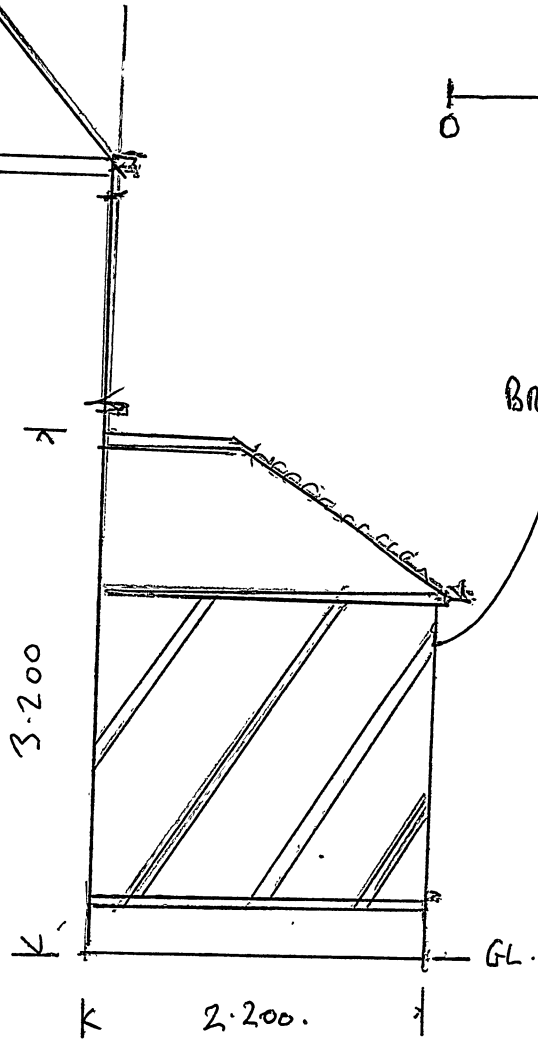
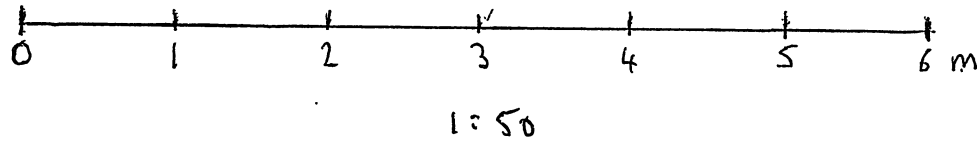


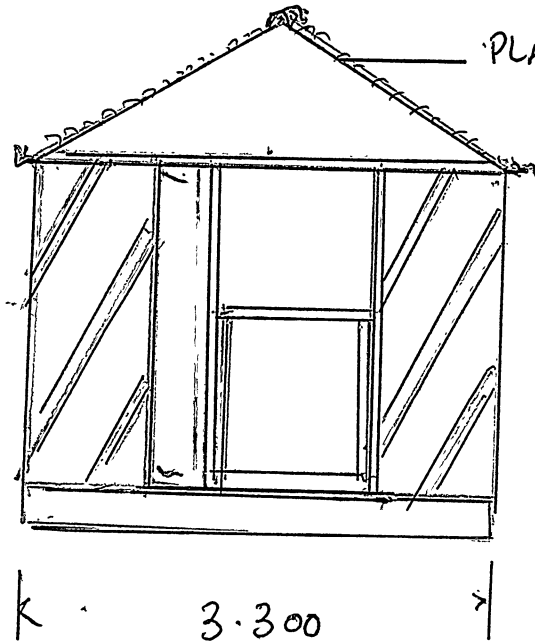
No 5, WEALD CLOSE, HORSHAM.

PORCH ELEVATIONS

SCALE 1:50



BRICKS TO MATCH EXISTING.



PLAIN TILES TO MATCH

