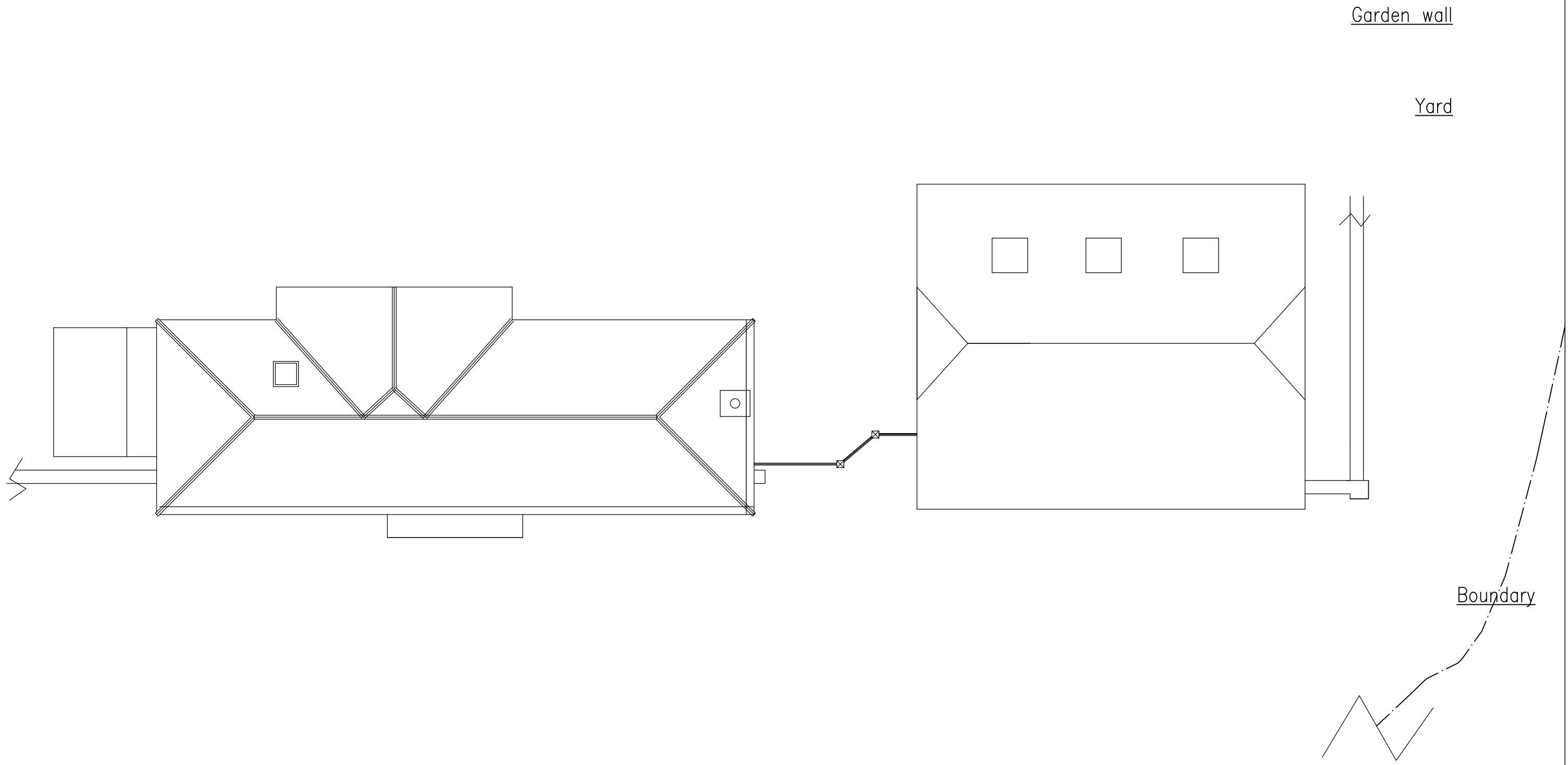
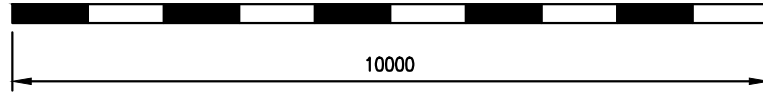


ALL DIMENSIONS ARE TO BE CHECKED ON SITE:  
 ALL DIMENSIONS ARE IN MM UNLESS STATED OTHERWISE  
 ORIGINAL SIZE A3.



**Pop Lifestyle Homes Ltd**  
 Ranmore Lodge  
 Ranmore Common Road  
 Dorking  
 Surrey  
 RH5 6SS  
 07801 495214  
 mike@poplifestylehomes@gmail.com

TITLE: Existing roof plan  
 PROJECT: part two storey part single storey  
 extensions, porch and  
 renovations

CLIENT Mr & Mrs Graham  
 North End House  
 Old Holbrook  
 RH12 4TW  
 TEL

SCALE 1:100@ A3	DATE 6th Feb 2026
DRN M.J.Z.	CHKD
DRN No PA NEH.08 Existing roof plan	